

### Homework 3

1. What is a regular language? Are there alternative ways to define this notion? If yes, give an explanation why they define the same notion.
2. Why is every finite set of strings a regular language?
3. Assume you have an alphabet consisting of the letters  $a$ ,  $b$  and  $c$  only.  
(1) Find a regular expression that recognises the two strings  $ab$  and  $ac$ . (2) Find a regular expression that matches all strings *except* these two strings. Note, you can only use regular expressions of the form

$$r ::= \emptyset \mid \epsilon \mid c \mid r_1 + r_2 \mid r_1 \cdot r_2 \mid r^*$$

4. Define the function *zeroable* which takes a regular expression as argument and returns a boolean. The function should satisfy the following property:

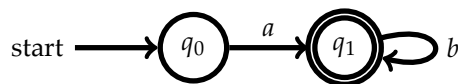
$$\text{zeroable}(r) \text{ if and only if } L(r) = \emptyset$$

5. Given the alphabet  $\{a, b\}$ . Draw the automaton that has two states, say  $q_0$  and  $q_1$ . The starting state is  $q_0$  and the final state is  $q_1$ . The transition function is given by

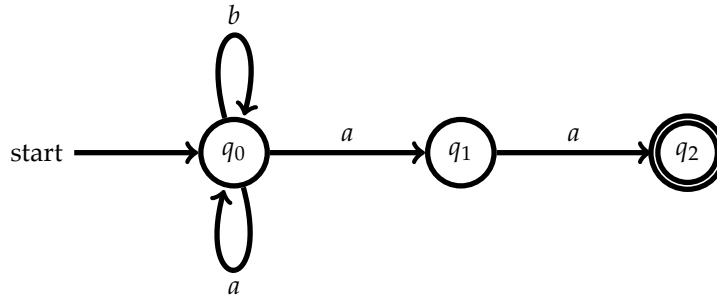
$$\begin{aligned}(q_0, a) &\rightarrow q_0 \\ (q_0, b) &\rightarrow q_1 \\ (q_1, b) &\rightarrow q_1\end{aligned}$$

What is the language recognised by this automaton?

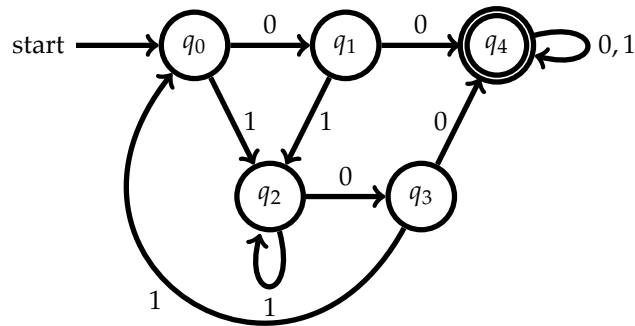
6. Give a non-deterministic finite automaton that can recognise the language  $L(a \cdot (a + b)^* \cdot c)$ .
7. Given a deterministic finite automata  $A(Q, q_0, F, \delta)$ , define which language is recognised by this automaton. Can you define also the language defined by a non-deterministic automaton?
8. Given the following deterministic finite automata over the alphabet  $\{a, b\}$ , find an automaton that recognises the complement language. (Hint: Recall that for the algorithm from the lectures, the automaton needs to be in completed form, that is have a transition for every letter from the alphabet.)



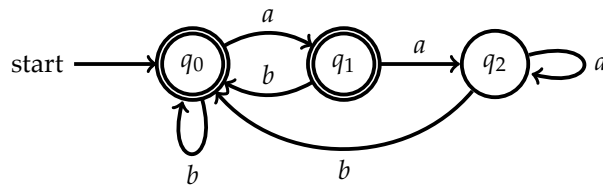
9. Given the following non-deterministic finite automaton over the alphabet  $\{a, b\}$ , find a deterministic finite automaton that recognises the same language:



10. Given the following deterministic finite automaton over the alphabet  $\{0, 1\}$ , find the corresponding minimal automaton. In case states can be merged, state clearly which states can be merged.



11. Given the following finite deterministic automaton over the alphabet  $\{a, b\}$ :



Give a regular expression that can recognise the same language as this automaton. (Hint: If you use Brzozowski's method, you can assume Arden's lemma which states that an equation of the form  $q = q \cdot r + s$  has the unique solution  $q = s \cdot r^*$ .)